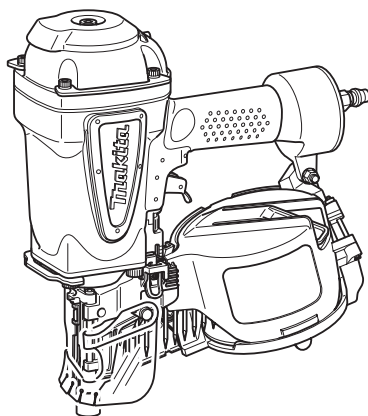


INSTRUCTION MANUAL
MANUEL D'INSTRUCTION
MANUAL DE INSTRUCCIONES



Construction Coil Nailer Pistolet Cloueur Clavadora Neumática de Carrete AN902



IMPORTANT: Read Before Using.

IMPORTANT : Lire avant usage.

IMPORTANTE: Lea antes de usar.

SPECIFICATIONS

Model	AN902
Air pressure	0.49 - 0.83 MPa (70 - 120 PSIG)
Nail length	Wire-collated coil nail 45 mm (1-25/32") - 90 mm (3-9/16")
Nail capacity	150 - 300 pcs.
Min. hose diameter	6.5 mm (2-3/8")
Pneumatic tool oil	Turbine oil
Dimensions (L X W X H)	318 mm (12-1/2") X 128 mm (5") X 378 mm (14-7/8")
Net weight	3.5 kg (7.7 lbs)

- Due to our continuing programme of research and development, the specifications herein are subject to change without notice.
- Specifications may differ from country to country.
- Weight according to EPTA-Procedure 01/2003

Important safety instructions

For personal safety and proper operation and maintenance of the tool, read this instruction manual carefully before using the tool.

WARNING: WHEN USING THIS TOOL, BASIC SAFETY PRECAUTIONS SHOULD ALWAYS BE FOLLOWED TO REDUCE THE RISK OF PERSONAL INJURY, INCLUDING THE FOLLOWING:

READ ALL INSTRUCTIONS.

Personal Protective Equipment

1. Always wear safety glasses to avoid eye injury from dust or fasteners. The safety glasses should conform with the requirements of ANSI Z87.1.
WARNING: It is an employer's responsibility to enforce the use of safety eye protection equipment by the tool operators and by other persons in the immediate working area.
2. Wear hearing protection to protect your ears against exhaust noise and head protection. Also wear light but not loose clothing. Sleeves should be buttoned or rolled up. No necktie should be worn.

Flammable Atmospheres

1. Do not operate tool in explosive atmospheres, such as in the presence of flammable liquids, gases or combustible dust.

Tool modification

1. The tool should not be modified unless authorized in the tool manual or approved in writing by the tool manufacturer.

Tool maintenance

1. Refer to the tool maintenance instructions for detailed information on the proper maintenance of a tool.

Recommended fasteners and accessories

1. Use only fasteners made or recommended by the tool manufacturer, or fasteners that perform equivalently to those recommended by the manufacturer.

2. Use only accessories made or recommended by the tool manufacturer, or accessories that perform equivalently to those recommended by the manufacturer.

Inspect tool before operating to:

1. Use only power source specified in the instruction manual.
Operate the tool within the specified air pressure on the tool label for safety and longer tool life. Do not exceed the recommended max. operating pressure. The tool should not be connected to a source whose pressure potentially exceeds 1.38 MPa (200 PSIG).
 2. Never use the tool with other than compressed air. If bottled gas (carbon dioxide, oxygen, nitrogen, hydrogen, air, etc.) or combustible gas (hydrogen, propane, acetylene, etc.) is used as a power source for this tool, the tool will explode and cause serious injury.
 3. Always check the tool for its overall condition and loose screws before operation. Tighten as required.
 4. Make sure all safety systems are in working order before operation. The tool must not operate if only the trigger is pulled or if only the contact element is pressed against the wood. It must work only when both actions are performed. Test for possible faulty operation with fasteners unloaded and the contact element in fully pulled position.
 5. Always check contact element as instructed in this manual. Fasteners may be driven accidentally if the safety mechanism is not working correctly.
- Operating controls
1. Do not use a tool with missing or damaged safety warning label(s.)
 2. A tool that is not in proper working order must not be used. Tags and physical segregation shall be used for control.
 3. Do not remove, tamper with, or otherwise cause tool operating controls to become inoperable.

4. Do not operate tool if any portion of the tool operating controls is inoperable, disconnected, altered, or not working properly.
- Tool handling**
1. Only persons who have read and understand the tool operating/safety instructions should operate the tool.
 2. Always assume that tool contains fasteners.
 3. Do not point tool toward yourself or anyone whether it contains fasteners or not.
 4. Keep bystanders and children away while operating tool.
 5. Do not actuate tool unless tool is placed firmly against the workpiece.
 6. Respect tool as a working implement.
 7. Do not engage in horseplay.
 8. Stay alert, focus on your work and use common sense when working with tools.
 9. Do not use tool while tired, after having consumed drugs or alcohol, or while under the influence of medication.
 10. Do not overreach. Keep proper footing and balance at all times.
 11. Do not hold or carry tool with a finger on the trigger.
 12. Drive fasteners into proper work surface only.
 13. Do not drive fasteners into other fasteners.
 14. After driving a fastener, tool may spring back ("recoil") causing it to move away from the work surface. To reduce risk of injury always manage recoil by:
 - a) always maintaining control of tool.
 - b) allowing recoil to move tool away from work surface.
 - c) not resisting recoil such that tool will be forced back into the work surface. In "Contact Actuation Mode," if workpiece contact is allowed to re-contact work surface before the trigger is released, an unintended discharge of a fastener will occur.
 - d) keeping face and body parts away from tool.
 15. When working close to an edge of a workpiece or at steep angles use care to minimize chipping, splitting or splintering, or free flight or ricochet of fasteners, which may cause injury.
 16. Keep hands and body away from fastener discharge area of tool.
 17. Do not load tool with fasteners when any one of the operating controls is activated.
 18. Do not operate tool with any power source other than that specified in tool operating/safety instructions.
 19. Do not operate tool with any operating pressure other than that specified in tool operating/safety instructions.
 20. Always select an actuation system that is appropriate to the fastener application and the training of the operator.
 21. Use extra caution when driving fasteners into existing walls or other blind areas to prevent contact with hidden objects or persons on other side (e.g., wires, pipes.)
22. Do not lift, pull or lower tool by the hose.
- Disconnecting tool**
- Disconnect tool from the power source when:
1. Not in use;
 2. Performing any maintenance or repairs;
 3. Clearing a jam;
 4. Elevating, lowering or otherwise moving the tool to a new location;
 5. Tool is outside of the operator's supervision or control; or
 6. Removing fasteners from the magazine.
- Additional safety instructions**
1. The area should be sufficiently illuminated to assure safe operations. The area should be clear and litter-free.
 2. There may be local regulations concerning noise which must be complied with by keeping noise levels within prescribed limits. In certain cases, shutters should be used to contain noise.
 3. Check walls, ceilings, floors, roofing and the like carefully to avoid possible electrical shock, gas leakage, explosions, etc. caused by striking live wires, conduits or gas pipes.
 4. On rooftops and other high locations, drive fasteners as you move forward. It is easy to lose your footing if you drive fasteners while inching backward. When driving against perpendicular surface, drive fasteners from the top to the bottom. You can perform the operations with less fatigue by doing so.
 5. Do not leave the loaded tool or the air compressor under pressure for a long time out in the sun. Be sure that dust, sand, chips and foreign matter will not enter the tool in the place where you leave it setting.
 6. Perform cleaning and maintenance right after finishing the job. Keep the tool in tip-top condition. Lubricate moving parts to prevent rusting and minimize friction-related wear. Wipe off all dust from the parts.
 7. Do not connect or disconnect the air hose with a finger on the trigger. An unexpected driving will cause serious injury when the air hose is connected.
 8. When you drop or strike the tool, check the tool damage or crack and make sure that safety systems are in working order before operation. As there is high pressure inside the tool, failure to do so will cause serious injury.
 9. Ask Makita's Authorized service centers for periodical inspection of the tool.
 10. To maintain product SAFETY and RELIABILITY, maintenance and repairs should be performed by Makita Authorized or Factory Service Centers, always using Makita replacement parts.

SAVE THESE INSTRUCTIONS.

⚠WARNING: MISUSE or failure to follow the safety rules stated in this instruction manual may cause serious personal injury.

Symbols

The followings show the symbols used for tool.



Read and understand tool labels and manual. Failure to follow warnings could result in death or serious injury.



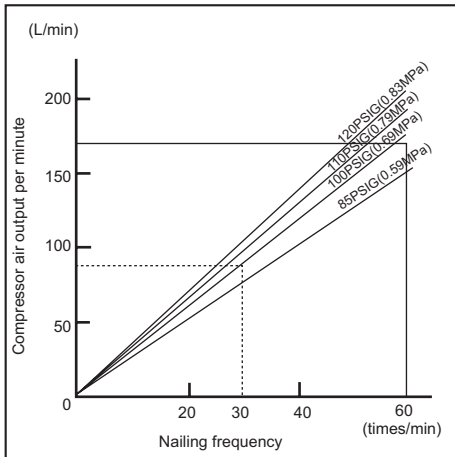
Operators and others in work area must wear safety glasses with side shields.



Keep fingers away from trigger when not driving fasteners to avoid accidental discharge.

INSTALLATION

Selecting compressor



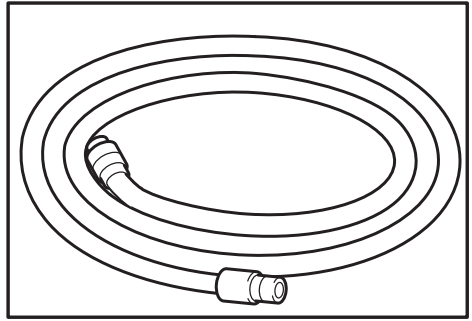
The air compressor must comply with the requirements of ANSI B19.3.

Select a compressor that has ample pressure and air output to assure cost-efficient operation. The graph shows the relation between nailing frequency, applicable pressure and compressor air output.

Thus, for example, if nailing takes place at a rate of approximately 30 times per minute at a compression of 100 PSIG (0.69 MPa), a compressor with an air output over 80 liters/minute is required.

Pressure regulators must be used to limit air pressure to the rated pressure of the tool where air supply pressure exceeds the tool's rated pressure. Failure to do so may result in serious injury to tool operator or persons in the vicinity.

Selecting air hose

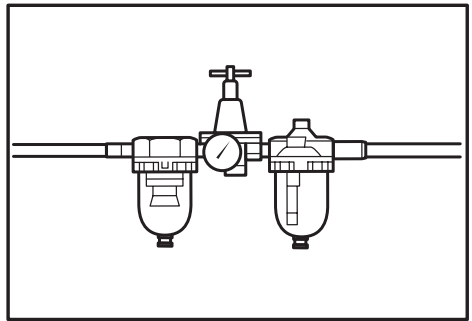


Use an air hose as large and as short as possible to assure continuous, efficient nailing operation. With an air pressure of 70 PSIG (0.49 MPa), an air hose with an internal diameter of over 6.5 mm and a length of less than 20 m is recommended when the interval between each nailing is 0.5 seconds. Air supply hoses shall have a minimum working pressure rating of 150 PSIG (1.03 MPa) or 150 percent of the maximum pressure produced in the system whichever is higher.

CAUTION:

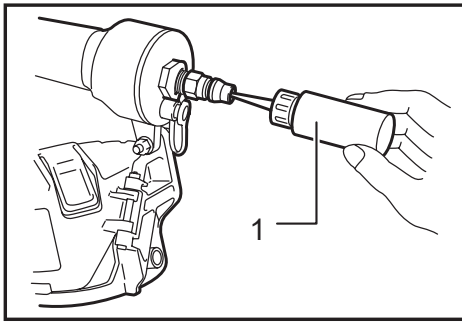
- Low air output of the compressor, or a long or smaller diameter air hose in relation to the nailing frequency may cause a decrease in the driving capability of the tool.

Lubrication



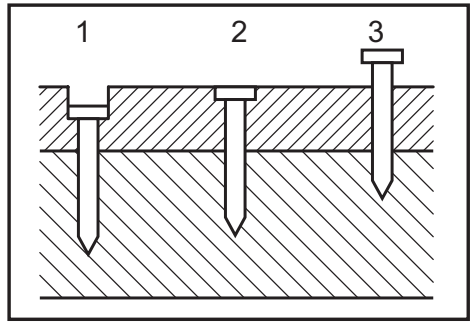
To insure maximum performance, install an air set (oiler, regulator, air filter) as close as possible to the tool.

Adjust the oiler so that one drop of oil will be provided for every 30 nails.



► 1. Pneumatic tool oil

When an air set is not used, oil the tool with pneumatic tool oil by placing 2 (two) or 3 (three) drops into the air fitting. This should be done before and after use. For proper lubrication, the tool must be fired a couple of times after pneumatic tool oil is introduced.



► 1. Too deep 2. Flush 3. Too shallow

If nails are driven too deep, turn the adjuster clockwise. If nails are driven too shallow, turn the adjuster counterclockwise.

The adjustable range is 6 mm (1/4"). (One full turn allows 1.0 mm (1/32") adjustment.)

FUNCTIONAL DESCRIPTION

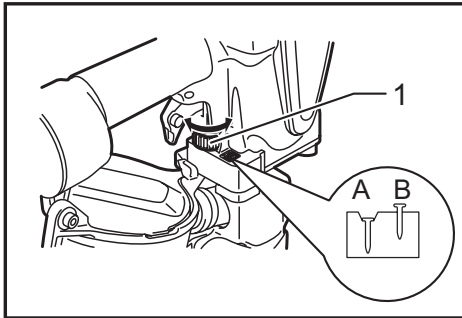
⚠ CAUTION:

- Always disconnect the air hose before adjusting or checking function on the tool.

Adjusting the nailing depth of nailing

⚠ CAUTION:

- Always disconnect the hose before adjusting the depth of nailing.

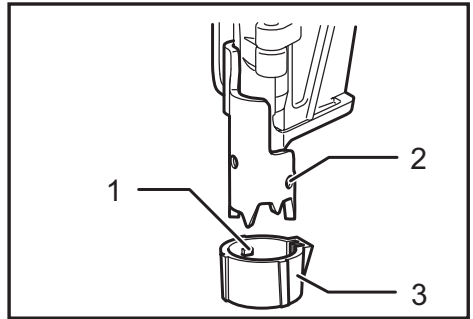


► 1. Adjuster

Use the nose adapter

⚠ CAUTION:

- Always disconnect the hose before installing or removing the nose adapter.



► 1. Protrusion 2. Hole 3. Nose adapter

If you like to protect the surface of workpiece, attach the nose adapter of contact element.

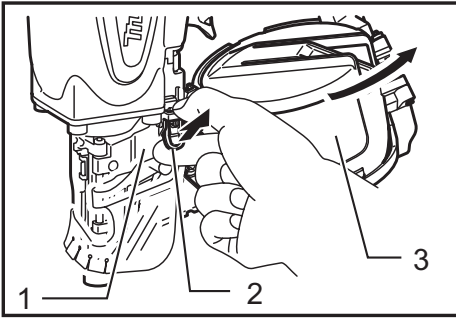
When nailing workpieces with easily-marred surfaces, use the nose adapter. To attach the nose adapter to the contact element, press it onto the contact element until the protrusion in three places inside the nose adapter fit in three holes in the contact element.

ASSEMBLY

⚠ CAUTION:

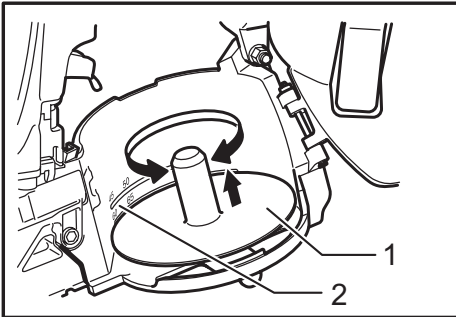
- Always disconnect the air hose before loading the nailer.

Loading the nailer



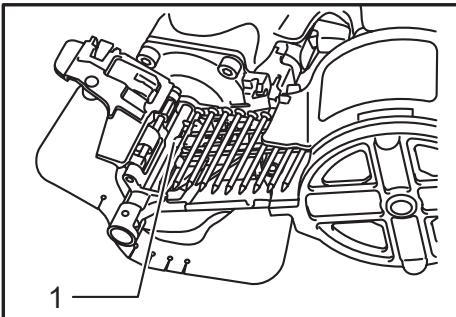
► 1. Door 2. Latch lever 3. Magazine cap

Select nails suitable for your work. Depress the latch lever and open the magazine cap.



► 1. Coil support plate 2. Graduation

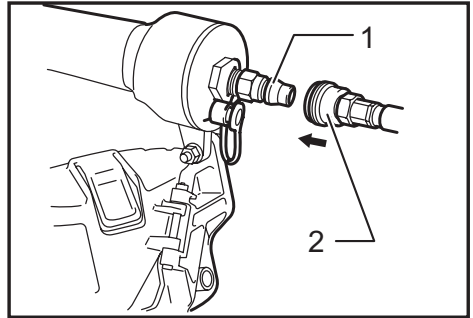
Lift and turn the coil support plate so that the arrow with nail size indicated on the coil support plate will point to the corresponding graduation increment marked on the magazine. If the tool is operated with the coil support plate set to the wrong step, poor nail feed or malfunction of the tool may result.



► 1. Feed Claw

Place the nail coil over the coil support plate. Uncoil enough nails to reach the nail guide. Place the first nail in the feeder and the second nail in the feed claw. Place other uncoiled nails on feeder body. Close the magazine cap slowly until it lock after checking to see that the nail coil is set properly in the magazine.

Connecting air hose



► 1. Air fitting 2. Air socket

Slip the air socket of the air hose onto the air fitting on the nailer. Be sure that the air socket locks firmly into position when installed onto the air fitting. A hose coupling must be installed on or near the tool in such a way that the pressure reservoir will discharge at the time the air supply coupling is disconnected.

OPERATION

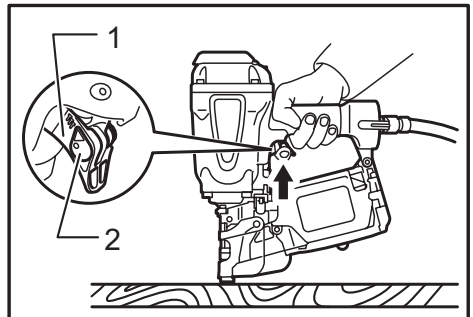
⚠ CAUTION:

- Make sure all safety systems are in working order before operation.

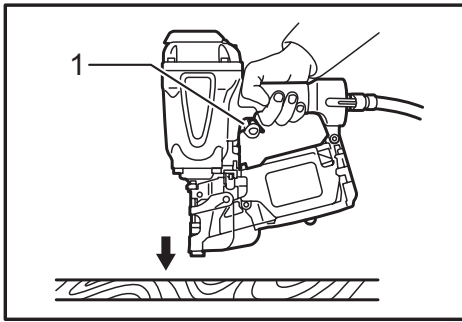
NOTE: The change lever is set in the sequential mode (intermittent nailing mode) in the factory.

For continuous nailing mode

Rotate the lever to the TTT position while pressing the button on the other side of the lever.



► 1. Trigger 2. Change lever



► 1. Trigger

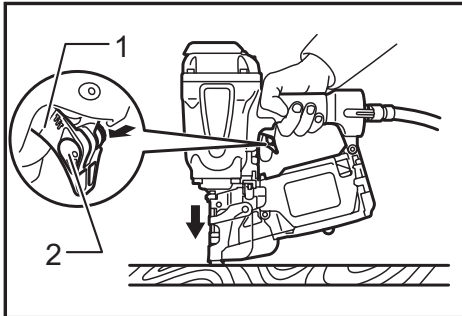
1. To drive a nail, you may place the contact element against the workpiece and pull the trigger.
2. Pull the trigger first and then place the contact element against the workpiece.

No. 1 method is for intermittent nailing, when you wish to drive a nail carefully and very accurately. No. 2 method is for continuous nailing.

CAUTION:

- Operating the tool without nails shortens the life of the tool and should be avoided.

For sequential mode (intermittent nailing mode)



► 1. Trigger 2. Change lever

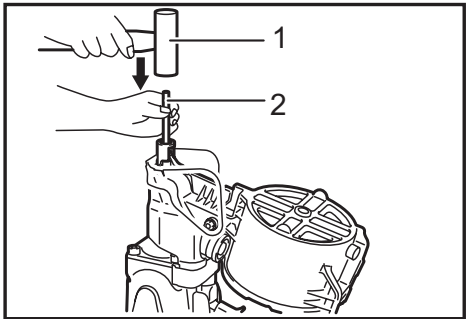
Rotate the lever to the position while pressing the button on the other side of the lever.

To drive a nail, you may place the contact element against the workpiece and pull the trigger.

CAUTION:

- WITH THE TRIGGER HELD IN A HALF-PULLED POSITION, an unexpected nailing could occur, if contact element is allowed to re-contact against the workpiece or the other surface under the influence of recoil. In order to avoid this unexpected nailing, perform as follows;
 - A. Do not place the contact element against the workpiece with excessive force.
 - B. Pull the trigger fully and hold it on for 1-2 seconds after nailing.
- Operating the tool without nails shortens the life of the tool and should be avoided.

Jammed nailer



► 1. Hammer 2. Small rod

CAUTION:

- Always disconnect the air hose and remove the nails from the magazine before cleaning a jam.

When the nailer becomes jammed, do as follows: Open the magazine cap and remove the nail coil. Insert a small rod or the like into the ejection port and tap it with a hammer to drive out the nail jamming from the ejection port. Reset the nail coil and close the magazine cap.

Nails

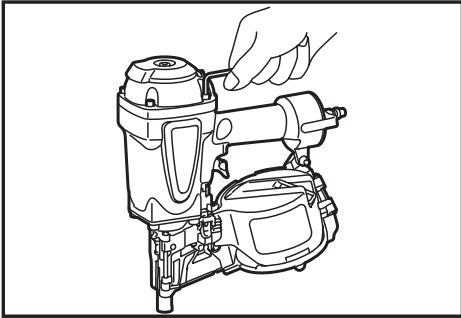
Handle nail coils and their box carefully. If the nail coils have been handled roughly, they may be out of shape or their connector breaks, causing poor nail feed. Avoid storing nails in a very humid or hot place or place exposed to direct sunlight.

MAINTENANCE

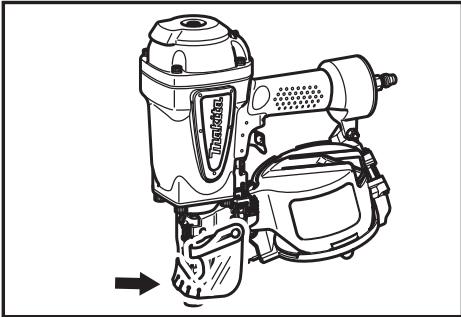
CAUTION:

- Always disconnect the air hose from the tool before attempting to perform inspection or maintenance.
- Never use gasoline, benzine, thinner, alcohol or the like. Discoloration, deformation or cracks may result.

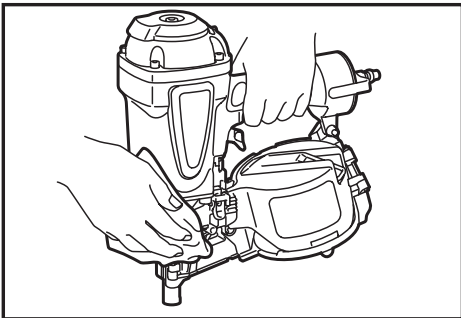
Maintenance of nailer



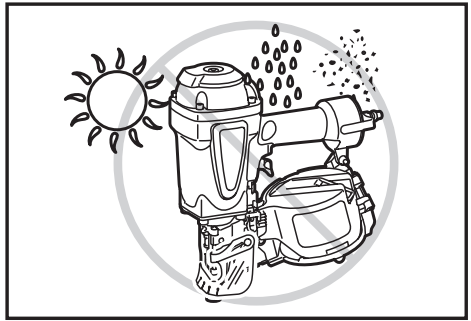
Always check the tool for its overall condition and loose screws before operation. Tighten as required.



With tool disconnected, make daily inspection to assure free movement of the contact element and trigger. Do not use tool if the contact element or trigger sticks or binds.

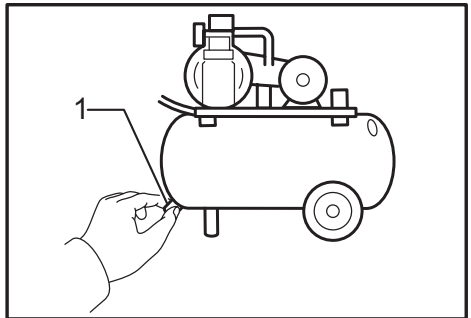


When the tool is not to be used for an extended period of time, lubricate the tool using pneumatic tool oil and store the tool in a safe place.

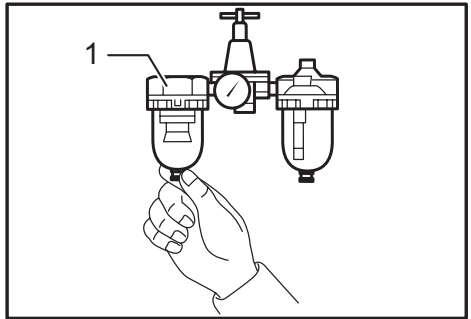


Avoid exposure to direct sunlight and/or humid or hot environment.

Maintenance of compressor, air set and air hose

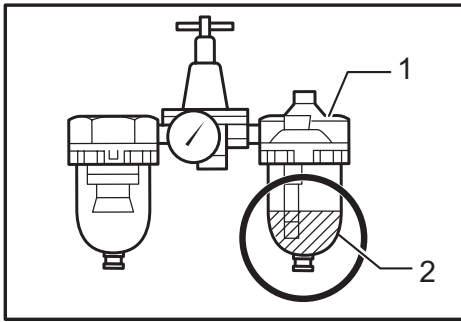


► 1. Drain cock



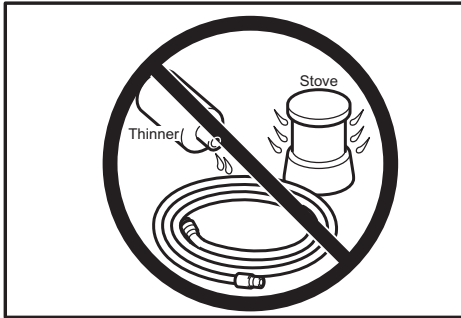
► 1. Air filter

After operation, always drain the compressor tank and the air filter. If moisture is allowed to enter the tool, it may result in poor performance and possible tool failure.



► 1. Oiler 2. Pneumatic oil

Check regularly to see if there is sufficient pneumatic oil in the oiler of the air set. Failure to maintain sufficient lubrication will cause O-rings to wear quickly.



Keep the air hose away from heat (over 60°C, over 140°F), away from chemicals (thinner, strong acids or alkalis). Also, route the hose away from obstacles which it may become dangerously caught on during operation. Hoses must also be directed away from sharp edges and areas which may lead to damage or abrasion to the hose. To maintain product SAFETY and RELIABILITY, repairs, any other maintenance or adjustment should be performed by Makita Authorized or Factory Service Centers, always using Makita replacement parts.

OPTIONAL ACCESSORIES

CAUTION:

- These accessories or attachments are recommended for use with your Makita tool specified in this manual. The use of any other accessories or attachments might present a risk of injury to persons. Only use accessory or attachment for its stated purpose.

If you need any assistance for more details regarding these accessories, ask your local Makita Service Center.

- Nails
- Air hoses

NOTE:

- Some items in the list may be included in the tool package as standard accessories. They may differ from country to country.

MAKITA LIMITED WARRANTY

Please refer to the annexed warranty sheet for the most current warranty terms applicable to this product. If annexed warranty sheet is not available, refer to the warranty details set forth at below website for your respective country.

United States of America: www.makitatools.com
 Canada: www.makita.ca
 Other countries: www.makita.com

SPÉCIFICATIONS

Modèle	AN902
Pression d'air	0,49 - 0,83 MPa (70 - 120 PSIG)
Longueur de clou	Clou en rouleau sur fil 45 mm (1-25/32") - 90 mm (3-9/16")
Capacité de clouage	150 - 300 agrafes.
Diamètre min. du tuyau	6,5 mm (2-3/8")
Huile pour outil pneumatique	Huile pour turbine
Dimensions (L x P x H)	318 mm (12-1/2") X 128 mm (5") X 378 mm (14-7/8")
Poids net	3,5 kg (7,7 lbs)

• Étant donné l'évolution constante de notre programme de recherche et de développement, les spécifications contenues dans ce manuel sont sujettes à modification sans préavis.

- Les spécifications peuvent varier suivant les pays.
- Poids conforme à la procédure EPTA du 01/2003

Consignes de sécurité importantes

Par mesure de sécurité personnelle et pour assurer une utilisation et un entretien adéquats, veuillez lire attentivement ce manuel d'instructions avant d'utiliser l'outil.

MISE EN GARDE : PAR MESURE DE SÉCURITÉ, DES PRÉCAUTIONS DE BASE DOIVENT ÊTRE PRISES LORS DE L'UTILISATION DE CET OUTIL, AFIN DE RÉDUIRE LES RISQUES DE BLESSURE. CES PRÉCAUTIONS COMPRENNENT LES SUIVANTES :

LISEZ TOUTES LES INSTRUCTIONS.

Équipement de protection personnelle

1. Portez toujours des lunettes de sécurité pour éviter les blessures aux yeux au contact de la poussière ou des fixations. Les lunettes de sécurité doivent répondre aux exigences de la norme ANSI Z87.1.

MISE EN GARDE : L'employeur a la responsabilité d'imposer le port d'un dispositif de protection des yeux aux utilisateurs des outils et à toute personne présente dans la zone de travail.

2. Portez une protection d'oreilles pour les protéger contre le bruit d'échappement, et portez un casque de sécurité. Les vêtements portés doivent être légers et ne doivent pas être amples. Veuillez boutonner ou rouler vos manches. Ne portez pas de cravate.

Atmosphères inflammables

1. N'utilisez pas l'outil dans les atmosphères explosives, par exemple en présence de liquides inflammables, de gaz ou de poussières combustibles.

Modification de l'outil

1. L'outil ne doit être modifié que si cela est autorisé dans le manuel de l'outil ou approuvé par écrit par le fabricant de l'outil.

Entretien de l'outil

1. Reportez-vous aux instructions d'entretien de l'outil pour des informations détaillées sur l'entretien adéquat d'un outil.

Fixations et accessoires recommandés

1. Utilisez exclusivement les fixations fabriquées ou recommandées par le fabricant de l'outil, ou des fixations qui offrent un rendement équivalent à celles recommandées par le fabricant.
2. Utilisez exclusivement les accessoires fabriqués ou recommandés par le fabricant de l'outil, ou des accessoires qui offrent un rendement équivalent à ceux recommandés par le fabricant.

Inspectez l'outil avant de l'utiliser :

1. Utilisez uniquement la source d'alimentation spécifiée dans le manuel d'instructions. Utilisez l'outil sans dépasser la pression d'air spécifiée sur l'étiquette de l'outil, pour votre sécurité et pour prolonger la durée de service de l'outil. Ne dépassez pas la pression d'utilisation max. recommandée. L'outil ne doit pas être raccordé à une source dont la pression est susceptible de dépasser 1,38 MPa (200 PSIG).
2. Cet outil doit être exclusivement utilisé avec de l'air comprimé. L'utilisation d'une bouteille de gaz (dioxyde de carbone, oxygène, nitrogène, hydrogène, air, etc.) ou de gaz combustible (hydrogène, propane, acétylène, etc.) comme source d'alimentation de cet outil entraînera une explosion et risque de causer une blessure grave.
3. Avant d'utiliser l'outil, assurez-vous qu'il est en bon état et qu'aucune de ses vis n'est desserrée. Le cas échéant, serrez les vis.
4. Assurez-vous que tous les dispositifs de sécurité sont en état de fonctionner avant d'utiliser l'outil. Il ne faut pas que l'outil s'active lorsque vous appuyez uniquement sur la gâchette ou appuyez simplement l'élément de contact contre le bois. Il ne doit s'activer que lorsque ces deux actions sont exécutées. Retirez les fixations de l'outil et tirez complètement l'élément de contact pour vérifier l'absence de tout vice de fonctionnement.

5. Vérifiez toujours l'élément de contact, tel qu'indiqué dans ce manuel. Des fixations risquent d'être projetées par accident si le mécanisme de sécurité ne fonctionne pas correctement.
- Commandes**
1. N'utilisez pas un outil dont des étiquettes de mise en garde sont manquantes et abîmées.
 2. Un outil qui n'est pas en bon état de marche ne doit pas être utilisé. Des balises et la séparation matérielle seront utilisées pour la commande.
 3. Ne retirez pas, ne modifiez pas et ne rendez d'aucune façon les commandes inutilisables.
 4. N'utilisez pas l'outil si toute partie des commandes de l'outil est inutilisable, déconnectée, altérée ou défectueuse.
- Manipulation de l'outil**
1. L'outil ne doit être utilisé que par des personnes qui ont lu et compris les instructions d'utilisation et consignes de sécurité.
 2. Supposez toujours que l'outil contient des fixations.
 3. Ne pointez pas l'outil vers vous-même ou toute autre personne, peu importe qu'il contienne ou non des fixations.
 4. Ne laissez pas approcher les curieux et les enfants pendant que vous utilisez l'outil.
 5. N'activez l'outil que s'il est fermement placé contre la pièce à travailler.
 6. Respectez l'outil en tant qu'instrument de travail.
 7. Évitez tout chahut.
 8. Restez alerte, attentif à votre travail et faites preuve de bon sens lorsque vous utilisez des outils.
 9. N'utilisez pas l'outil si vous êtes fatigué, avez consommé une drogue ou de l'alcool, ou êtes sous l'effet de médicaments.
 10. Ne vous étirez pas trop. Assurez-vous d'une bonne prise au sol et d'un bon équilibre en tout temps.
 11. Évitez de tenir ou de transporter l'outil avec un doigt sur la gâchette.
 12. Ne posez les fixations que sur une surface à travailler adéquate.
 13. Ne posez pas de fixations dans d'autres fixations.
 14. Après la pose d'une fixation, il se peut que l'effet de ressort (« recul ») de l'outil l'éloigne de la surface à travailler. Pour réduire les risques de blessure, contrôlez toujours le recul en :
 - a) gardant constamment la maîtrise de l'outil;
 - b) laissant le recul éloigner l'outil de la surface à travailler;
 - c) ne résistant pas au recul, afin de ne pas forcer le retour de l'outil sur la surface à travailler. En « Mode de commande par contact », une fixation sera libérée involontairement si vous laissez l'outil retoucher la surface à travailler avant la libération de la gâchette.
 - d) gardant le visage et autres parties du corps à l'écart de l'outil.
 15. Lorsque vous travaillez près du bord d'une pièce à travailler ou sur des angles prononcés, faites-le prudemment pour réduire les risques d'écaillage, de fendillement ou d'éclatement, ou pour éviter que les fixations ne s'envolent librement ou ricochent, ce qui peut causer des blessures.
 16. Gardez les mains et le corps à l'écart de la zone de libération des fixations.
 17. Ne mettez pas de fixations dans l'outil pendant que toute commande est activée.
 18. Ne faites fonctionner l'outil avec aucune autre source d'alimentation que celle spécifiée dans les instructions d'utilisation et consignes de sécurité de l'outil.
 19. Ne faites fonctionner l'outil avec aucune autre pression d'utilisation que celle spécifiée dans les instructions d'utilisation et consignes de sécurité de l'outil.
 20. Sélectionnez toujours un système de commande qui convient à l'application de fixation et à la formation reçue par l'utilisateur.
 21. Soyez tout particulièrement prudent lorsque vous posez des fixations dans des cloisons existantes ou tout autre matériau dont l'arrière n'est pas visible, pour éviter le contact avec des objets dissimulés (p. ex., des câbles ou tuyaux) ou avec des personnes se trouvant de l'autre côté.
 22. Évitez de soulever, tirer ou abaisser l'outil par le tuyau.
- Débranchement de l'outil**
Débranchez l'outil de la source d'alimentation lorsque :
1. non utilisé;
 2. exécution de tout entretien ou réparation;
 3. nettoyage d'un blocage;
 4. élévation, abaissement ou déplacement de l'outil vers un nouvel emplacement;
 5. outil non surveillé ou contrôlé par l'utilisateur; ou
 6. retrait des fixations du magasin.
- Consignes de sécurité supplémentaires**
1. La zone doit être suffisamment éclairée pour assurer un travail sécuritaire. La zone doit être dégagée et sans déchets.
 2. Il se peut que des réglementations locales s'appliquent concernant les niveaux de bruit permis. Veuillez les respecter. Le cas échéant, des volets doivent être installés pour réduire le bruit.
 3. Pour éviter tout risque de choc électrique, de fuite de gaz, d'explosion, etc., provoqué par le contact avec des fils dénudés, des conduites ou des tuyaux de gaz, vérifiez le mur ou le plafond, le plancher, le toit, etc.
 4. Sur les toits et autres endroits élevés, posez les fixations en vous déplaçant vers l'avant. Vous risquez de perdre pied si vous posez les fixations en vous déplaçant à reculons. Lorsque vous posez des fixations sur une surface verticale, faites-le du haut vers le bas. De cette façon le travail sera moins exigeant physiquement.

5. **N'abandonnez pas pour une période prolongée un outil chargé ou un compresseur d'air sous pression exposé au soleil à l'extérieur. Assurez-vous de toujours déposer l'outil en un endroit où la poussière, le sable, les copeaux et corps étrangers ne risquent pas d'y pénétrer.**
6. **Procédez au nettoyage et à l'entretien de l'outil une fois le travail terminé. Maintenez l'outil en excellente condition. Lubrifiez les pièces mobiles pour éviter qu'elles ne rouillent et pour limiter l'usure entraînée par la friction. Retirez toute poussière déposée sur les pièces.**
7. **Évitez de connecter ou déconnecter le tuyau d'air avec un doigt sur la gâchette.** Un clouage accidentel pourrait entraîner une blessure grave au moment de la connexion du tuyau d'air.
8. **Si vous échappez ou heurtez l'outil, vérifiez l'absence de dommages ou fissures, et assurez-vous que tous les dispositifs de sécurité sont en état de fonctionner avant d'utiliser l'outil.** Comme la pression est élevée à l'intérieur de l'outil, la négligence de cette consigne risque de causer une blessure grave.
9. **Confiez régulièrement l'outil à un centre de service après-vente agréé Makita pour une inspection.**
10. **Pour maintenir la SÉCURITÉ et la FIABILITÉ de l'outil, son entretien et sa réparation doivent être effectués dans un centre de service après-vente agréé ou d'usine Makita, exclusivement avec des pièces de rechange Makita.**

CONSERVEZ CE MODE D'EMPLOI.

⚠ MISE EN GARDE : Une MAUVAISE UTILISATION de l'outil ou l'ignorance des consignes de sécurité du présent manuel d'instructions peuvent entraîner une grave blessure.

Symboles

Les symboles utilisés pour l'outil sont indiqués ci-dessous.



Veuillez lire et comprendre les étiquettes et le manuel de l'outil. L'ignorance des mises en garde peut entraîner le décès ou une grave blessure.



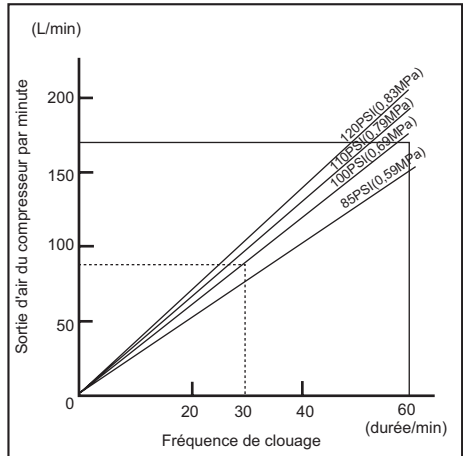
L'utilisateur et toute personne présente dans la zone de travail doivent porter des lunettes de sécurité avec protecteurs latéraux.



Gardez les doigts à l'écart de la gâchette lorsque vous ne posez pas de fixations, pour éviter la libération accidentelle de fixations.

INSTALLATION

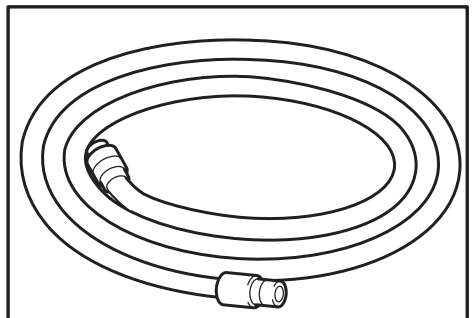
Sélection du compresseur



Le compresseur d'air doit répondre aux exigences de la norme ANSI B19.3.

Choisissez un compresseur dont la capacité de pressurisation et de sortie d'air assurera un bon rapport qualité/coût. Le graphique indique la relation entre la fréquence de clouage, la pression applicable et la sortie d'air du compresseur. Ainsi, par exemple, pour fixer environ 30 clous par minute avec une compression de 100 PSIG (0,69 MPa), il faudra un compresseur dont la sortie d'air est supérieure à 80 litres/minute. Un régulateur de pression doit être utilisé si la pression d'air fournie dépasse la capacité nominale de l'outil. Autrement, l'utilisateur et les personnes présentes courent un risque de blessure grave.

Sélection du tuyau d'air

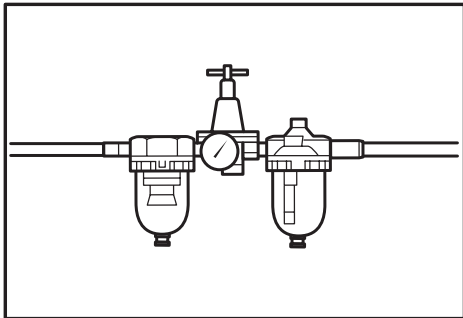


Pour assurer un travail de clouage continu et efficace, le tuyau d'air utilisé doit être le plus gros et le plus court possible. Avec une pression d'air de 70 PSIG (0,49 MPa), un tuyau d'air à diamètre interne supérieur à 6,5 mm et d'une longueur inférieure à 20 m est recommandé lorsque l'intervalle entre chaque clouage est de 0,5 seconde. Les tuyaux d'alimentation en air auront une pression de travail nominale d'au moins 150 PSIG (1,03 MPa) ou de 150 % de la pression maximale produite dans le système, la plus grande de ces valeurs étant adoptée.

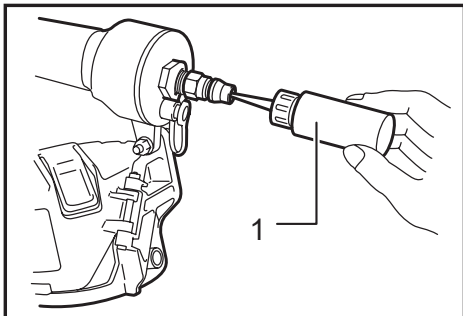
⚠ ATTENTION :

- La capacité d'entraînement de l'outil risque de diminuer si la sortie d'air du compresseur est faible ou si le tuyau d'air est trop long ou d'un diamètre trop petit pour la fréquence de clouage.

Lubrification



Pour assurer une performance maximale, installez une chambre à air (qui contient le réservoir d'huile, le régulateur et le filtre à air) le plus près possible de l'outil. Ajustez le réservoir d'huile de sorte qu'une goutte d'huile soit fournie à intervalles de 30 clous.



► 1. Huile pour outil pneumatique

Si vous n'utilisez pas de chambre à air, graissez l'outil en versant deux (2) ou trois (3) gouttes d'huile pour outil pneumatique dans le raccord à air. Cette opération doit être effectuée avant et après l'utilisation. Pour assurer une lubrification adéquate, il faut faire déclencher l'outil à quelques reprises après l'insertion de l'huile pour outil pneumatique.

DESCRIPTION DU FONCTIONNEMENT

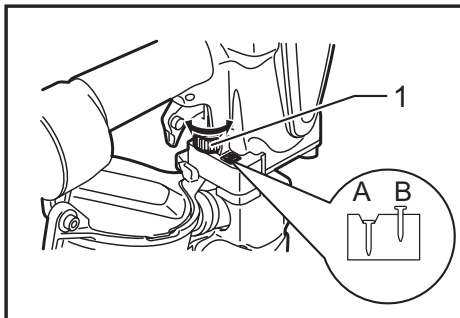
⚠ ATTENTION :

- Déconnectez toujours le tuyau d'air avant d'ajuster ou de régler le fonctionnement de l'outil.

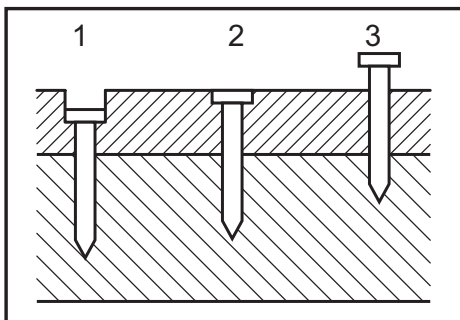
Réglage de la profondeur de clouage

⚠ ATTENTION :

- Déconnectez toujours le tuyau avant d'ajuster la profondeur de clouage.



► 1. Dispositif de réglage



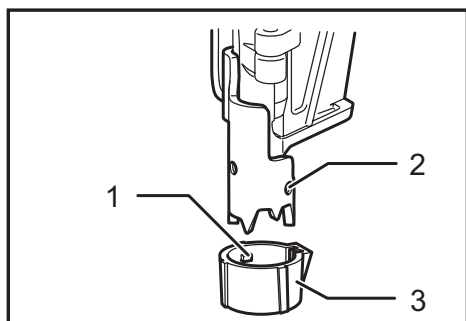
► 1. Trop profond 2. Juste 3. Trop peu profond

Si les clous sont plantés trop profondément, tournez l'organe de réglage dans le sens des aiguilles d'une montre. Si les clous sont plantés trop peu profondément, tournez l'organe de réglage dans le sens contraire aux aiguilles d'une montre. La plage ajustable est de 6 mm (1/4 po). (Un tour complet permet un ajustement de 1,0 mm (1/32 po).)

Utilisez l'adaptateur de bec

⚠ ATTENTION :

- Déconnectez toujours le tuyau avant d'installer ou de retirer l'adaptateur de bec.



► 1. Saillie 2. Orifice 3. Adaptateur de bec

Si vous désirez protéger la surface de la pièce, installez l'adaptateur de bec à l'élément de contact.

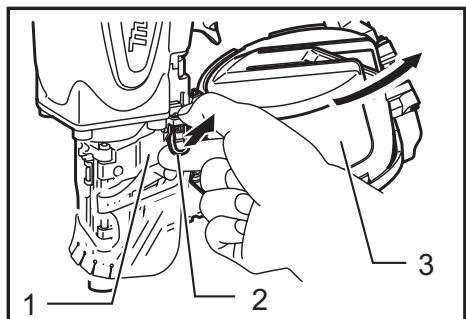
Lors du clouage de pièces facilement marquées, utilisez l'adaptateur de bec. Pour fixer l'adaptateur de bec à l'élément de contact, appuyez l'adaptateur jusqu'à ce que la saillie en trois endroits de l'adaptateur de bec s'adapte dans les trois trous de l'élément de contact.

ASSEMBLAGE

⚠ ATTENTION :

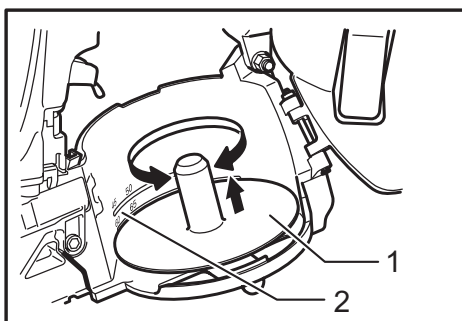
- Déconnectez toujours le tuyau d'air avant de charger la cloueuse.

Chargement de la cloueuse



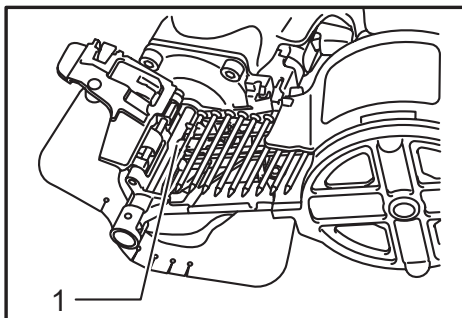
► 1. Porte 2. Levier de fermeture 3. Bouchon du magasin

Choisissez des clous qui conviennent au type de travail à effectuer. Enfoncez le levier de fermeture et ouvrez le bouchon du magasin.



► 1. Plaque de soutien de la bobine 2. Graduation

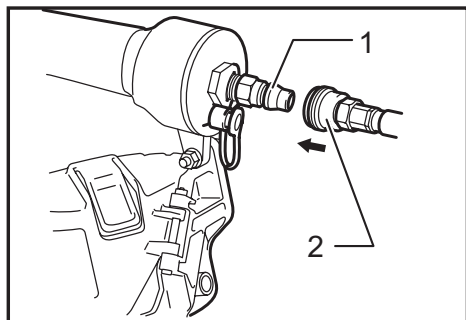
Soulevez et tournez la plaque de soutien de la bobine, de sorte que la flèche correspondant à la taille de clou indiquée sur la plaque pointe vers la valeur de graduation correspondante sur le magasin. Si vous utilisez l'outil alors que la plaque de soutien de la bobine n'est pas placée sur la bonne valeur de graduation, l'alimentation en clou risque d'être mauvaise et l'outil risque de mal fonctionner.



► 1. Griffe d'alimentation

Placez le rouleau de clous sur la plaque de soutien du rouleau. Déroulez suffisamment de clous pour atteindre le dispositif de guidage de clou. Placez le premier clou dans dispositif d'alimentation et le second dans la griffe d'alimentation. Placez les autres clous non embobinés dans le corps du dispositif d'alimentation. Fermez le bouchon du magasin lentement jusqu'à ce qu'il se verrouille après avoir vérifié la conformité de l'installation du rouleau de clou dans le magasin.

Raccordement du tuyau d'air



► 1. Raccord à air 2. Douille à air

Glissez la douille à air du tuyau d'air dans le raccord à air de la cloueuse. Assurez-vous que la douille à air est verrouillée fermement en position lorsque vous installez le raccord à air. Un raccord à tuyau doit être installé sur ou près de l'outil de sorte que le réservoir de pression se vide au moment de la déconnexion du raccord d'aduction d'air.


UTILISATION

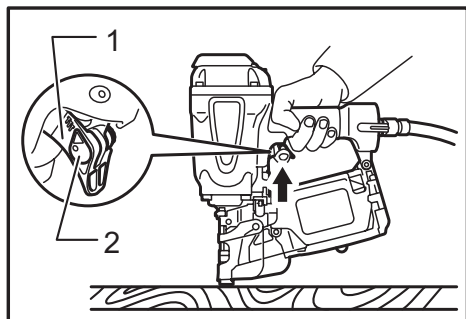
⚠ ATTENTION :

- Assurez-vous que tous les dispositifs de sécurité sont en état de fonctionner avant d'utiliser l'outil.

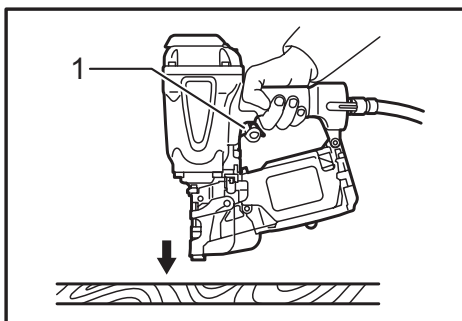
NOTE : En usine, le levier de changement de mode est réglé sur le mode séquentiel (mode de clouage intermittent).

Pour le mode de clouage continu

Tournez le levier sur la position  tout en appuyant sur le bouton de l'autre côté du levier.



► 1. Gâchette 2. Levier de changement de mode



► 1. Gâchette

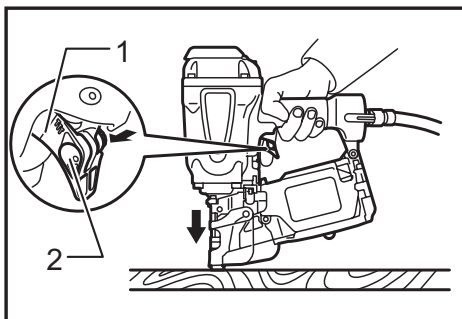
- Pour planter un clou, vous pouvez placer l'élément de contact contre la pièce et appuyer sur la gâchette.
- Appuyez d'abord sur la gâchette, puis placez l'élément de contact contre la pièce.

La méthode n° 1 est pour le clouage intermittent, lorsque vous voulez planter un clou soigneusement et de manière très précise. La méthode n° 2 est pour le clouage continu.


⚠ ATTENTION :

- L'utilisation de l'outil sans clous raccourcit la durée de service de l'outil et doit être évitée.

Pour le mode séquentiel (mode de clouage intermittent)



► 1. Gâchette 2. Levier de changement de mode

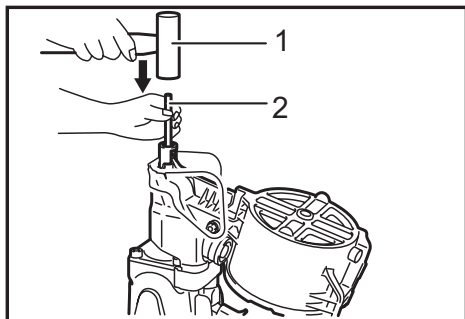
Tournez le levier sur la position  tout en appuyant sur le bouton de l'autre côté du levier.

Pour planter un clou, vous pouvez placer l'élément de contact contre la pièce et appuyer sur la gâchette.

ATTENTION :

- SI VOUS MAINTENEZ LA GÂCHETTE EN POSITION À MOITIÉ DÉCLANCHÉE, l'élément de contact peut entrer à nouveau en contact avec la pièce par effet de recul, ce qui cause un clouage inattendu. Pour éviter une telle situation, procédez comme suit :
 - A. N'appliquez pas une force excessive en plaçant l'élément de contact contre la pièce.
 - B. Appuyez à fond sur la gâchette et maintenez-la telle quelle pendant 1 ou 2 secondes après le clouage.
- Vous devez éviter d'utiliser l'outil sans clous, puisque sa durée de service serait alors réduite.

Clouuse bloquée



► 1. Marteau 2. Petite tige

ATTENTION :

- Avant de débloquer la clouuse, vous devez toujours déconnecter le tuyau d'air et retirer les clous du magasin.

Lorsque la clouuse se bloque, procédez comme suit : Ouvrez le bouchon du magasin et retirez la bobine de clous. Insérez une petite tige ou un objet similaire dans la sortie d'éjection et frappez dessus légèrement avec un marteau pour retirer les clous coincés dans la sortie d'éjection. Remettez en place la bobine de clous et fermez le bouchon du magasin.

Clous

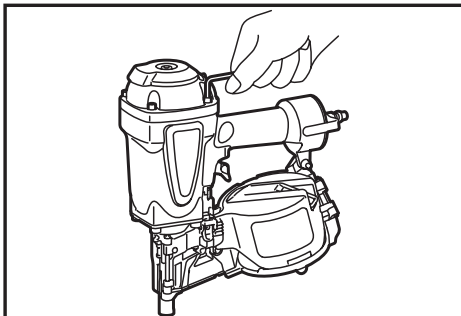
Manipulez les bobines de clous et leur boîte avec soin. Si les bobines de clous ont été manipulées sans précaution, elles peuvent être déformées ou leur connecteur risque de se briser, entraînant une alimentation en clou défectueuse. Évitez de ranger les clous dans un endroit très humide, trop chaud ou exposé directement à la lumière du soleil.

ENTRETIEN

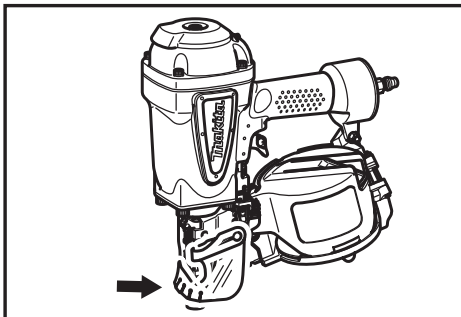
ATTENTION :

- Déconnectez toujours le tuyau avant d'effectuer tout travail d'inspection ou d'entretien sur l'outil.
- N'utilisez jamais d'essence, de benzine, de solvant, d'alcool ou d'autres produits similaires. Une décoloration, une déformation, ou la formation de fissures peuvent en découler.

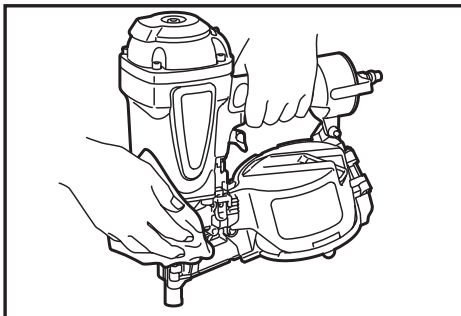
Entretien de la clouuse



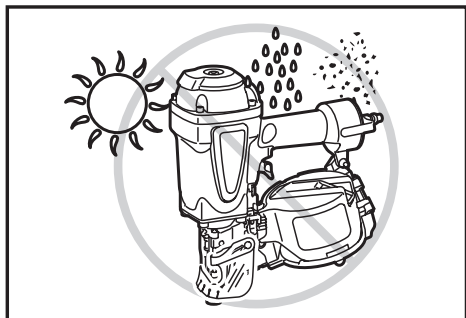
Avant d'utiliser l'outil, assurez-vous qu'il est en bon état et qu'aucune de ses vis n'est desserrée. Le cas échéant, serrez les vis.



Avec l'outil débranché, inspectez-le quotidiennement pour vous assurer que l'élément de contact et la gâchette se déplacent librement. N'utilisez pas l'outil si l'élément de contact ou la gâchette se coincent.

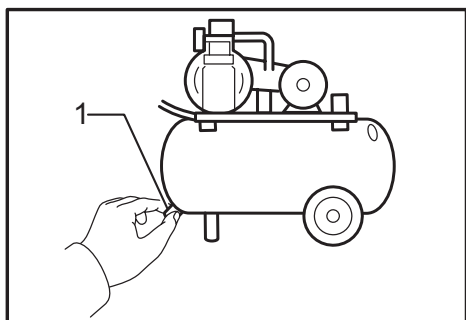


Lorsque vous n'utilisez pas l'outil pendant une période prolongée, lubrifiez-le avec de l'huile pour outil pneumatique et rangez-le dans un endroit sûr.

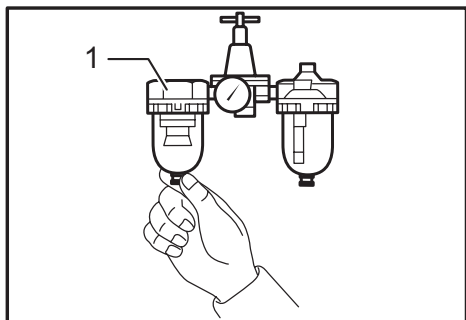


Évitez de l'exposer à la lumière directe du soleil et de l'entreposer dans un environnement humide ou chaud.

Entretien du compresseur, de la chambre à air et du tuyau d'air

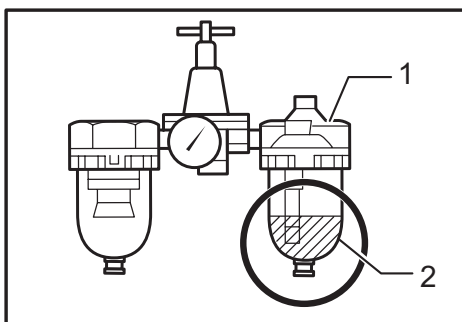


► 1. Robinet de vidange



► 1. Filtre à air

Après l'utilisation, videz toujours le réservoir du compresseur et le filtre à air. L'outil risque de mal fonctionner ou de tomber en panne si l'humidité y pénètre.



► 1. Réservoir d'huile 2. Huile à outil pneumatique

Vérifiez régulièrement la chambre à air pour vous assurer que le réservoir d'huile contient assez d'huile à outil pneumatique. Les joints toriques s'useront rapidement s'ils ne sont pas toujours bien graissés.



Gardez le tuyau d'air à l'écart de la chaleur (plus de 60°C ou 140°F) et des produits chimiques (diluant, acides puissants, substances alcalines). Il faut également faire courir le tuyau à l'écart des obstacles où il risquerait de se coincer pendant l'utilisation de l'outil. Les tuyaux doivent également être placés à l'écart des bords tranchants et de toute surface pouvant entraîner l'endommagement ou l'abrasion du tuyau. Pour maintenir la SÉCURITÉ et la FIABILITÉ du produit, les réparations, tout autre travail d'entretien ou de réglage doivent être effectués dans un centre de service Makita agréé ou un centre de service de l'usine Makita, exclusivement avec des pièces de rechange Makita.

ACCESSOIRES EN OPTION

⚠ ATTENTION :

- Ces accessoires ou pièces complémentaires sont recommandés pour l'utilisation avec l'outil Makita spécifié dans ce mode d'emploi. L'utilisation de tout autre accessoire ou pièce complémentaire peut comporter un risque de blessure. N'utilisez les accessoires ou pièces qu'aux fins auxquelles ils ont été conçus.

Si vous désirez obtenir plus de détails concernant ces accessoires, veuillez contacter le centre de service après-vente Makita le plus près.

- Clous
- Tuyau d'air

NOTE :

- Certains éléments de la liste peuvent être inclus avec l'outil comme accessoires standard. Ils peuvent varier suivant les pays.

GARANTIE LIMITÉE MAKITA

Pour les conditions de garantie en vigueur qui s'appliquent à ce produit, veuillez vous reporter à la feuille de garantie en annexe. Si la feuille de garantie en annexe n'est pas disponible, reportez-vous aux détails de la garantie présentés sur le site Web de votre pays, ci-dessous.

États-Unis d'Amérique: www.makitatools.com

Canada: www.makita.ca

Autres pays: www.makita.com

ESPECIFICACIONES

Modelo	AN902
Presión de aire	0,49 MPa - 0,83 MPa (70 PSIG - 120 PSIG)
Longitud del clavo	Embobinado intercalado de clavos de alambre entre 45 mm (1-25/32") - 90 mm (3-9/16")
Capacidad de clavos	150 - 300 piezas.
Diámetro mínimo de la manguera	6,5 mm (2-3/8")
Aceite para herramienta neumática	Turbina de aceite
Dimensiones (La x An x Al)	318 mm (12-1/2") X 128 mm (5") X 378 mm (14-7/8")
Peso neto	3,5 kg (7,7 lbs)

- Debido a nuestro programa continuo de investigación y desarrollo, las especificaciones aquí dadas están sujetas a cambios sin previo aviso.
- Las especificaciones pueden ser diferentes de país a país.
- Peso de acuerdo al procedimiento de EPTA-01/2003

Instrucciones importantes de seguridad

Por su seguridad personal y para una operación y mantenimiento adecuados de la herramienta, lea este manual de instrucciones atentamente antes de usar la herramienta.

ADVERTENCIA: AL UTILIZAR ESTA HERRAMIENTA, SE DEBEN SEGUIR SIEMPRE LAS PRECAUCIONES DE SEGURIDAD BÁSICAS PARA REDUCIR EL RIESGO DE LESIÓN PERSONAL, ENTRE LAS CUALES SE INCLUYEN LAS SIGUIENTES:

LEA TODAS LAS INSTRUCCIONES.

Equipo de protección personal

1. Siempre use gafas de seguridad para evitar lesiones en los ojos ocasionadas por el polvo o los clavos. Las gafas de seguridad deben cumplir con los requisitos de la norma ANSI Z87.1.

ADVERTENCIA: Es responsabilidad del empleador imponer el uso de equipo de seguridad para la protección de los ojos a los usuarios de las herramientas y demás personas en las inmediaciones del área de trabajo.

2. Use protección para los oídos para protegerlos contra el ruido del escape, así como también debe usarse protección para la cabeza. Además vistase con ropa ligera pero no holgada. Las mangas deben estar abotonadas o arremangadas. No deben usarse corbatas.

Atmósferas inflamables

1. No opere la herramienta en atmósferas explosivas, tal como en la presencia de líquidos, gases o polvo inflamables.

Modificación de la herramienta

1. La herramienta no deberá ser modificada a menos que esté autorizado en el manual de la herramienta o aprobado por escrito por el fabricante de la herramienta.

Mantenimiento de la herramienta

1. Consulte las instrucciones de mantenimiento de la herramienta para ver información detallada sobre el mantenimiento adecuado de la herramienta.

Clavos y accesorios recomendados

1. Utilice solamente clavos hechos o recomendados por el fabricante de la herramienta, o clavos que funcionen de manera similar a los recomendados por el fabricante.
2. Utilice solamente accesorios hechos o recomendados por el fabricante de la herramienta, o accesorios que funcionen de manera similar a los recomendados por el fabricante.

Inspeccione la herramienta antes de la operación para que:

1. Use solamente el suministro de energía especificado en el manual de instrucciones. Opere la herramienta dentro del rango de presión de aire especificado en la etiqueta de la herramienta para garantizar la seguridad y prolongar la vida útil de la herramienta. No exceda la presión de operación máxima recomendada. La herramienta no deberá conectarse a un suministro cuya presión pueda exceder los 1,38 MPa (200 PSIG).
2. Nunca use la herramienta con algo más que no sea aire comprimido. Si se utiliza algún gas embotellado (bióxido de carbono, oxígeno, nitrógeno, hidrógeno, aire, etc.) o algún gas combustible (hidrógeno, propano, acetileno, etc.) como suministro de energía para esta herramienta, ésta explotará y causará graves lesiones.
3. Siempre verifique el estado general de la herramienta, así como si hay tornillos sueltos antes de la operación. Apriete según sea necesario.
4. Asegúrese de que todos los sistemas de seguridad funcionen adecuadamente antes de la operación. La herramienta no deberá ser operada si solamente se ha jalado el gatillo interruptor o si sólo se ha presionado el elemento

de contacto contra la madera. Ésta deberá operarse únicamente cuando ambas acciones hayan sido ejecutadas. Compruebe si hay alguna operación defectuosa sin que haya clavos cargados y con el elemento de contacto en la posición completamente retraída.

5. Siempre inspeccione el elemento de contacto tal como se indica en este manual. Los clavos podrían clavarse accidentalmente si el mecanismo de seguridad no está funcionando correctamente.

Controles de operación

1. No utilice una herramienta que no tenga o tenga dañadas la(s) etiqueta(s) de advertencia de seguridad.
2. Una herramienta que no esté en buenas condiciones de funcionamiento no deberá ser utilizada. Los rótulos y la segregación física deberán ser utilizados para el control.
3. No quite ni altere los controles de operación de la herramienta, ni cause de otra manera que éstos se vuelvan inoperables.
4. No opere la herramienta si cualquier sección de los controles de operación de la herramienta está inoperable, desconectada, alterada o no está funcionando apropiadamente.

Manipulación de la herramienta

1. Solamente las personas que hayan leído y entendido las instrucciones de operación/seguridad de la herramienta deberán operar la herramienta.
2. Siempre asuma que la herramienta contiene clavos.
3. No apunte la herramienta hacia usted ni a ninguna persona independientemente de que contenga clavos o no.
4. Mantenga alejados a los niños y demás personas alrededor durante la operación de la herramienta.
5. No accione la herramienta a menos que esté colocada firmemente contra la pieza de trabajo.
6. Trate la herramienta como un utensilio de trabajo.
7. No utilice la herramienta para jugar.
8. Manténgase alerta, concéntrese en su trabajo y utilice el sentido común cuando trabaje con herramientas.
9. No utilice la herramienta cuando esté cansado, después de haber consumido drogas o alcohol, o bajo la influencia de medicamentos.
10. No utilice la herramienta donde no alcance. Pise sobre suelo firme y mantenga el equilibrio en todo momento.
11. No sostenga ni cargue la herramienta con el dedo sobre el gatillo interruptor.
12. Coloque los clavos únicamente sobre una superficie de trabajo adecuada.
13. No coloque los clavos sobre otros clavos.
14. Después de colocar un clavo, la herramienta podría saltar hacia atrás (“retroceder”) alejándose de la superficie de trabajo. Para reducir el riesgo de lesiones asociadas con el retroceso, siempre haga lo siguiente:

- a) mantenga siempre el control sobre la herramienta.
- b) permita que el retroceso aleje a la herramienta de la superficie de trabajo.
- c) no resista el retroceso para hacer regresar a la fuerza la herramienta a la superficie de trabajo. En el “Modo de accionamiento por contacto”, si el contacto con la pieza de trabajo es permitido para volver a entrar en contacto con la superficie de trabajo antes de soltar el gatillo interruptor, ocurrirá la descarga accidental de un clavo.
- d) mantenga la cara y las partes del cuerpo alejados de la herramienta.

15. Cuando trabaje cerca del borde de una pieza de trabajo o en ángulos pronunciados, tenga cuidado para minimizar el astillado, fisura o fragmentación, o que los clavos salgan volando o reboten, pudiendo ocasionar una lesión.
16. Mantenga las manos y el cuerpo alejados del área de descarga de clavos de la herramienta.
17. No cargue la herramienta con los clavos cuando cualquiera de los controles de operación se encuentre activado.
18. No opere la herramienta con un suministro de energía que no sea el especificado en las instrucciones de operación/seguridad de la herramienta.
19. No opere la herramienta con ninguna presión de operación que no sea la especificada en las instrucciones de operación/seguridad de la herramienta.
20. Siempre seleccione un sistema de accionamiento que sea apropiado para la aplicación de clavos y la capacitación del operador.
21. Tenga extrema precaución cuando coloque los clavos en las paredes existentes u otras áreas ciegas para evitar el contacto con objetos ocultos o personas del otro lado (p. ej., cables, tubos).
22. No levante, jale o baje la herramienta tomándola de la manguera.

Desconexión de la herramienta

Desconecte la herramienta del suministro de energía cuando:

1. no la esté usando;
2. realice cualquier tarea de mantenimiento o reparación;
3. despeje algún atascamiento;
4. eleve, baje o mueva de alguna otra forma la herramienta a otro lugar;
5. la herramienta esté fuera de la supervisión o control del operador; o
6. retire los clavos del cartucho.

Instrucciones adicionales de seguridad

1. El área de trabajo debe estar suficientemente iluminada para garantizar la seguridad en las operaciones. El área de trabajo debe estar despejada y limpia.
2. Puede que haya regulaciones locales respecto al ruido las cuales deben cumplirse al mantener los niveles de ruido dentro de los límites preestablecidos. En determinados casos, deberán usarse persianas para contener el ruido.

3. Revise paredes, techos, tejados, pisos y similares con atención para evitar una descarga eléctrica accidental, así como una fuga de gas, explosiones, etc. que sean provocadas por haber insertado el fijador en cables con corriente, tubos o ductos de gas.
4. En los tejados y otros lugares elevados, clave a medida que vaya avanzando hacia adelante. Usted puede perder fácilmente el equilibrio si clava mientras retrocede. Al clavar contra una superficie perpendicular, hágalo de la parte superior a la inferior. Si lo hace así, se fatigará menos al realizar las operaciones.
5. No deje la herramienta cargada o con el compresor de aire funcionando por un tiempo prolongado bajo el sol. Asegúrese de que el polvo, la arena, las astillas o el material extraño no ingrese a la herramienta al dejarla en el lugar que designe.
6. Realice operaciones de limpieza y mantenimiento justo después de haber terminado la labor. Mantenga la herramienta en excelentes condiciones. Lubrique las piezas móviles para prevenir la oxidación y minimizar el desgaste por fricción. Limpie la herramienta y las piezas del polvo.
7. No conecte ni desconecte la manguera de aire con el dedo sobre el gatillo. Un accionamiento accidental podría causar lesiones graves si la manguera de aire está conectada.
8. Si la herramienta llegara a caerse o golpearse, revise los daños o grietas en la herramienta y asegúrese de que los sistemas de seguridad estén funcionando correctamente antes de la operación. El no hacerlo podría causar lesiones graves debido a la alta presión en el interior de la herramienta.
9. Solicite una inspección periódica de la herramienta en los centros de servicios autorizados de Makita.
10. Para mantener la SEGURIDAD y FIABILIDAD del producto, las reparaciones y cualquier mantenimiento deberán ser realizados por los centros de servicio autorizados o de fabricación de Makita, usando siempre repuestos Makita.

GUARDE ESTAS INSTRUCCIONES.

⚠️ ADVERTENCIA: El USO INCORRECTO o el no seguir las normas de seguridad que se declaran en este instructivo podría resultar en lesiones personales graves.

Símbolos

A continuación se muestran los símbolos utilizados para la herramienta.



Lea y entienda el manual y las etiquetas de la herramienta. El no seguir las advertencias podría ocasionar la muerte o una lesión grave.



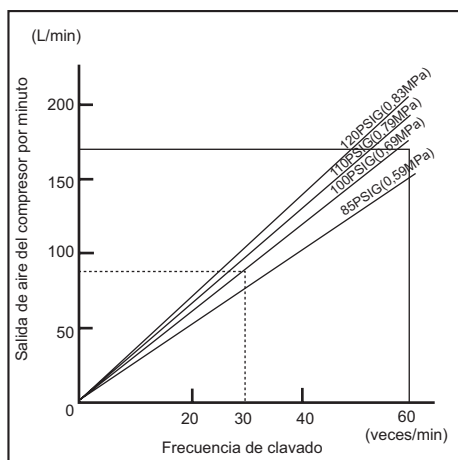
Los operarios y demás personas que se encuentran en el área de trabajo deben usar gafas de seguridad con protección lateral.



Mantenga los dedos alejados del gatillo interruptor cuando no esté colocando clavos a fin de evitar una descarga accidental.

INSTALACIÓN

Cómo elegir un compresor



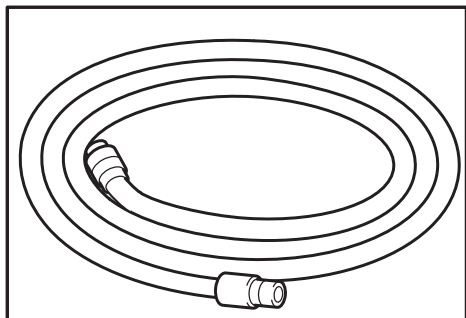
El compresor de aire debe cumplir con los requerimientos de ANSI B19.3.

Seleccione un compresor que tenga presión amplia y salida de aire para garantizar una operación económica. El gráfico muestra la relación entre la frecuencia de clavado, la presión aplicable y la salida del compresor de aire.

Así, por ejemplo, si el clavado se lleva a cabo a una velocidad aproximada de 30 veces por minuto a una compresión de 100 PSIG (0,69 MPa), se requiere entonces un compresor con una salida de aire mayor de 80 litros/minuto.

Los reguladores de presión deben usarse para limitar la presión del aire suministrado cuando éste excede la presión nominal de la herramienta. Si no lo hiciera, podrían ocurrir graves daños al operador de la herramienta o las personas que se encuentren en las proximidades del lugar.

Cómo seleccionar una manguera de aire

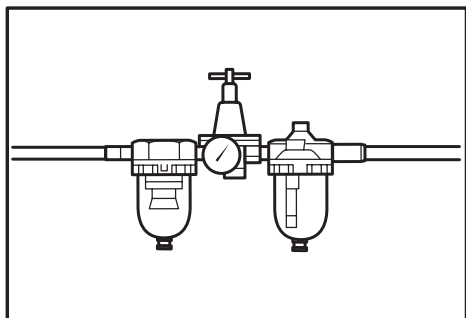


Use una manguera de aire tan ancha y corta como sea posible para asegurar una operación eficiente y continua en el clavado. Con una presión de aire de 70 PSIG (0,49 MPa), se recomienda una manguera de aire con un diámetro interno mayor de 6.5 mm y con una longitud menor de 20 m para cuando el intervalo entre cada engrapado sea de 0,5 segundos. Las mangueras para suministro de aire deben tener una presión mínima de ejecución a una razón de 150 PSIG (1,03 MPa) o 150 por ciento de la presión máxima producida en el sistema, cualquiera que sea mayor.

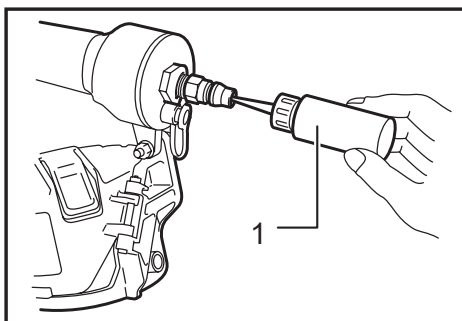
⚠ PRECAUCIÓN:

- Una baja presión en la salida de aire del compresor o una manguera de aire de mayor o menor diámetro en relación con la frecuencia de clavado puede causar una disminución en la capacidad de manejo de la herramienta.

Lubricación



Para garantizar un máximo rendimiento, instale un juego de aire (lubricador, regulador, filtro de aire) lo más cerca posible de la herramienta. Ajuste el lubricador de forma tal que suministre una gota de aceite cada 30 clavos.



- 1. Aceite para herramienta neumática

Cuando no se use el juego de aire, lubrique la herramienta con aceite para herramientas neumáticas, colocando 2 (dos) o 3 (tres) gotas en el adaptador de aire. Esto deberá realizarse antes y después de cada uso. Para una lubricación adecuada, la herramienta debe dispararse un par de veces después de introducir el aceite para herramientas neumáticas.

DESCRIPCIÓN DEL FUNCIONAMIENTO

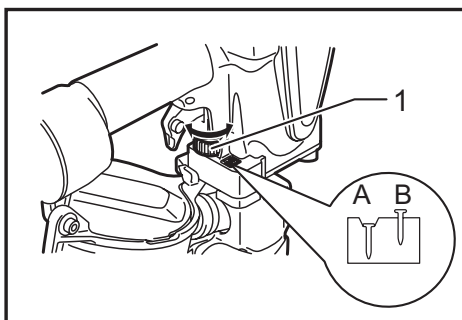
⚠ PRECAUCIÓN:

- Siempre desconecte la manguera de aire antes de ajustes o revisiones en la herramienta.

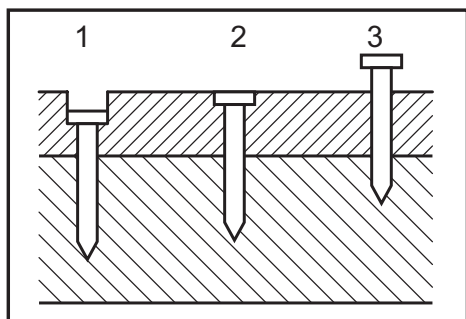
Ajuste de la profundidad del clavado.

⚠ PRECAUCIÓN:

- Siempre desconecte la manguera antes de hacer ajustes de la profundidad de clavado.



- 1. Ajustador



- 1. Profundidad excesiva 2. Al ras 3. Superficialidad excesiva

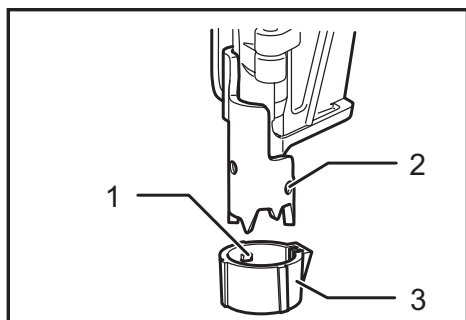
Si los clavos son colocados con demasiada profundidad, gire el ajustador a la derecha. Si los clavos son colocados muy superficialmente, gire el ajustador a la izquierda.

El rango de ajuste es de 6 mm (1/4") (un giro completo permite un ajuste de 1,0 mm (1/32")).

Use el adaptador de boquilla

⚠PRECAUCIÓN:

- Siempre desconecte la manguera antes de poner o quitar el adaptador de la boquilla.



- 1. Protuberancia 2. Orificio 3. Adaptador de nariz

Si desea proteger la superficie de la pieza de trabajo, coloque el adaptador de boquilla del elemento de contacto.

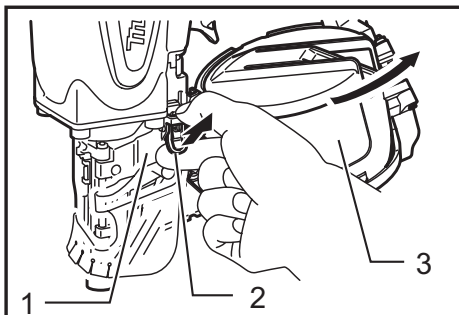
Al estar clavando las piezas de trabajo con superficies que pueden deteriorarse fácilmente, utilice el adaptador de boquilla. Para colocar el adaptador de boquilla al elemento de contacto, presiónelo sobre éste hasta que la protuberancia en los tres puntos dentro del adaptador de boquilla en los tres orificios encaje en el elemento de contacto.

ENSAMBLE

⚠PRECAUCIÓN:

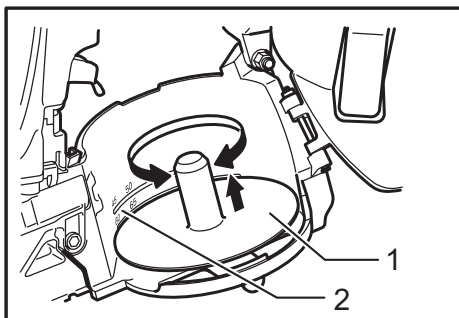
- Siempre desconecte la manguera de aire antes de resumistrar clavos a la herramienta.

Recargado de la herramienta con clavos



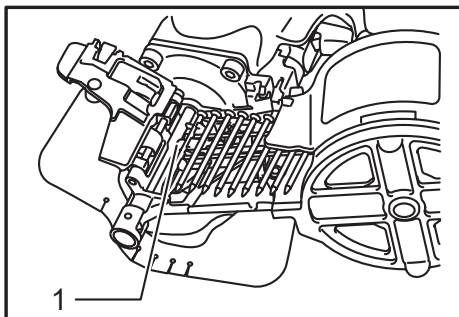
- 1. Puerta 2. Palanca de seguridad 3. Casquillo de la recámara

Seleccione los clavos apropiados para su trabajo. Presione la palanca de la aldabilla y abra la tapa del cartucho.



- 1. Placa de apoyo del carrete 2. Graduación

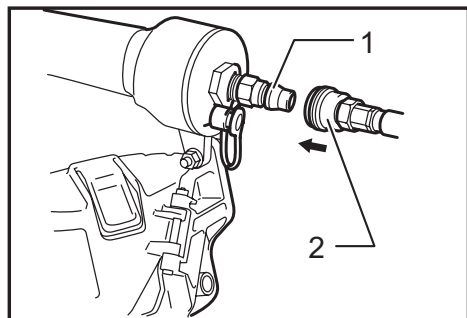
Alce y gire la placa del soporte del carrete de tal forma que la flecha que indica el tamaño de los clavos en la placa de soporte apunte hacia la graduación correspondiente que se indica en el cartucho. Si la herramienta es usada con la placa de soporte del carrete puesta en un ajuste incorrecto, puede que resulte en una alimentación deficiente de clavo o en fallas durante la operación.



- 1. Pinza de alimentación

Coloque la bobina de clavos sobre la placa de soporte de la bobina. Desembobine suficientes clavos hasta alcanzar la guía de clavos. Coloque el primer calvo en el alimentador y el segundo clavo en la pinza de alimentación. Coloque los otros clavos desembobinados sobre el cuerpo alimentador. Cierre la tapa del cartucho con cuidado verificando que la bobina de clavos está adecuadamente colocada en el cartucho.

Cómo conectar la manguera



► 1. Entrada de aire de la clavadora 2. Conexión de la manguera de aire

Deslice la conexión de la manguera de aire en la entrada de aire de la clavadora. Asegúrese de que la conexión de aire quede firmemente asegurada en su lugar al instalarse en la entrada de aire. Debe instalarse un acoplador de manguera sobre o cerca de la herramienta de tal forma que el contenedor de presión se descargue al momento en que el acoplador del suministro de aire se desconecte.

OPERACIÓN

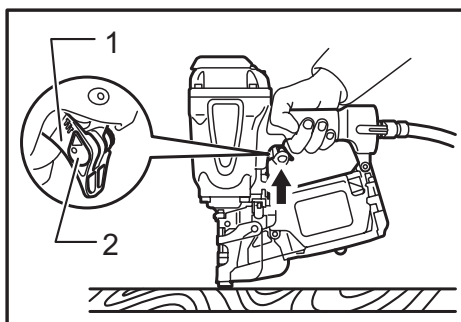
⚠PRECAUCIÓN:

- Asegúrese de que todos los sistemas de seguridad funcionen adecuadamente antes de utilizar la herramienta.

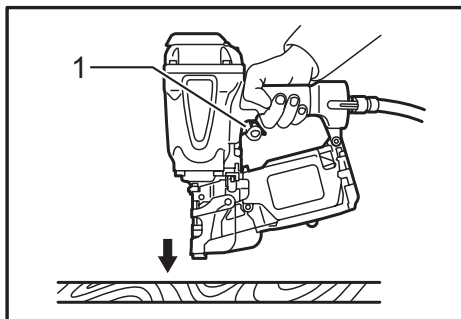
NOTA: La palanca de cambio está ajustada de fábrica en el modo secuencial (modo de clavado intermitente).

Para el modo de clavado continuo

Gire la palanca a la posición  mientras presiona el botón al otro lado de la palanca.



► 1. Gatillo 2. Palanca de cambio



► 1. Gatillo

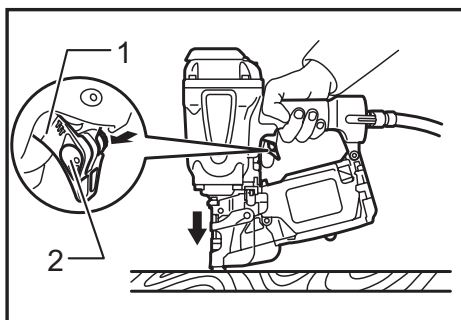
1. Para clavar un clavo, puede colocar el elemento de contacto contra la pieza de trabajo y jalar el gatillo.
2. Jale el gatillo primero y luego coloque el elemento de contacto contra la pieza de trabajo.

El método no. 1 es para un clavado intermitente en el que se quiera hacer un clavado cuidadoso y muy preciso. El método no. 2 es para un clavado continuo.

⚠PRECAUCIÓN:

- El operar la herramienta sin clavos acortará la vida útil de la herramienta, por lo que esto deberá evitarse.

Para el modo secuencial (modo de clavado intermitente)



► 1. Gatillo 2. Palanca de cambio

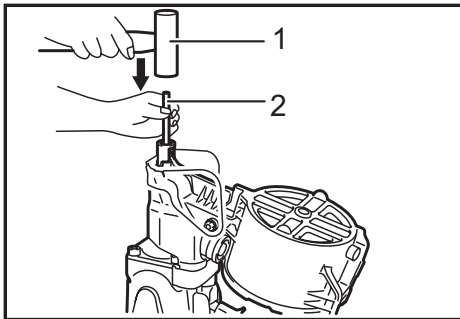
Gire la palanca a la posición  mientras presiona el botón al otro lado de la palanca.

Para clavar un clavo, puede colocar el elemento de contacto contra la pieza de trabajo y jalar el gatillo.

⚠PRECAUCIÓN:

- **MANTENER APRETADO EL GATILLO EN UNA POSICIÓN INTERMEDIA** puede provocar un clavado inesperado, si el elemento de contacto se deja que vuelva a hacer contacto con la pieza de trabajo u otra superficie bajo la influencia del retroimpacto (retroceso brusco de la herramienta).
Para evitar este clavado inesperado, proceda como se indica a continuación;
- A. No coloque el elemento de contacto contra la pieza de trabajo con demasiada fuerza.
- B. Tire del gatillo por completo y sosténgalo por 1-2 segundos después de clavar.
- Deberá evitar hacer funcionar la herramienta sin clavos dado que esto acortará su vida útil.

Clavadora atascada



► 1. Martillo 2. Varilla pequeña

⚠PRECAUCIÓN:

- Desconecte siempre la manguera de aire y retire los clavos del cartucho antes de despejar algún atascamiento.

Cuando la clavadora se atasca, haga lo siguiente: Abra la tapa del cartucho y retire el carrete de clavos. Inserte una varilla pequeña o similar hacia el puerto de expulsión y dé un golpe ligero con un martillo para sacar los clavos atascados del puerto de expulsión. Vuelva a colocar el carrete de clavos y cierre la tapa del cartucho.

Clavos

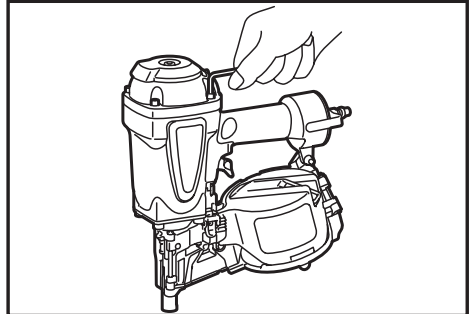
Tenga un cuidadoso manejo de las bobinas de clavos y de la caja en donde están contenidas. Si las bobinas de clavos se manejan descuidadamente, puede que se deformen o que sus conectores se rompan, resultando en una alimentación deficiente de los clavos. Evite almacenar los clavos en un lugar muy húmedo o caliente, así como dejarlas expuestas a la luz directa del sol.

MANTENIMIENTO

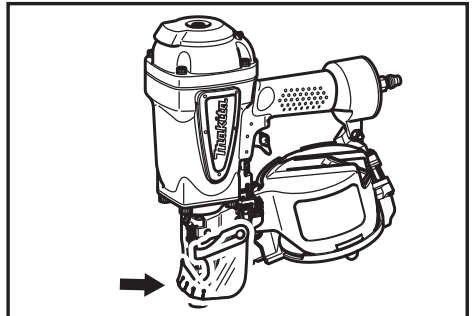
⚠PRECAUCIÓN:

- Desconecte siempre la manguera de aire de la herramienta antes de intentar hacer una inspección o mantenimiento.
- Nunca use gasolina, bencina, diluyente (tíner), alcohol o sustancias similares. Puede que esto ocasione grietas o descoloramiento.

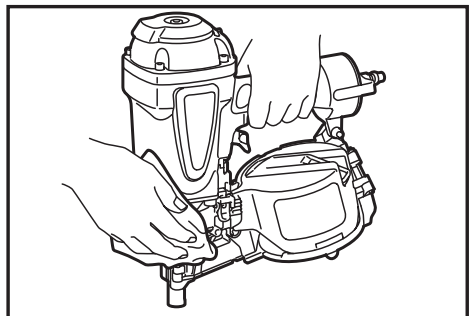
Mantenimiento de la clavadora



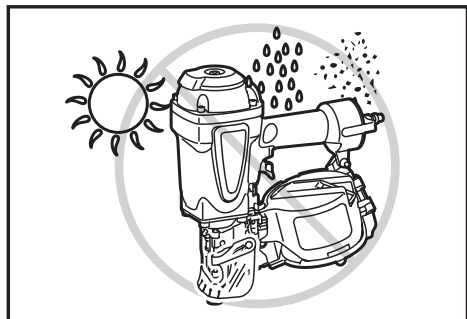
Verifique siempre el estado general de la herramienta y afloje los tornillos antes de ponerla en funcionamiento. Ajuste según lo requerido.



Con la herramienta desconectada, realice una inspección diaria para garantizar un movimiento libre del elemento de contacto y el gatillo. No use la herramienta si el elemento de contacto o el gatillo quedan trabados o atorados.

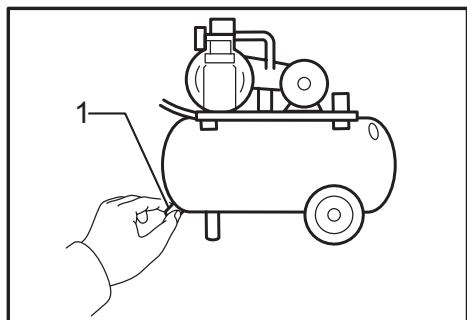


Cuando la herramienta no se utilice por periodos prolongados, lubríquela con un equipo neumático para aplicar aceite y almacene la herramienta en un lugar seguro.

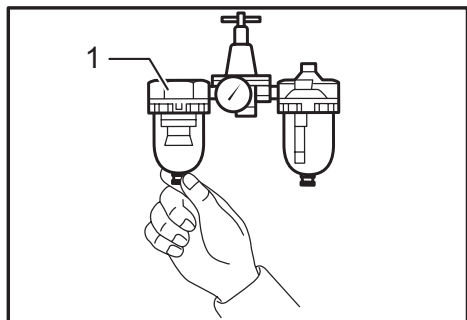


Evite la exposición de la herramienta a los rayos directos del sol y/o a la humedad y ambientes calientes.

Mantenimiento del compresor, juego de aire o manguera de aire

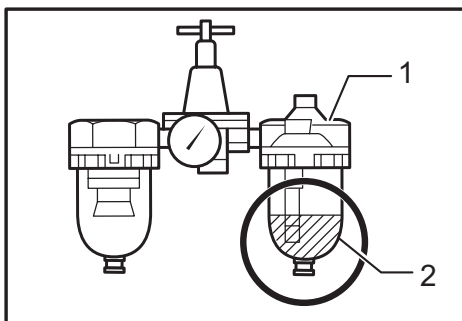


► 1. Llave de drenaje



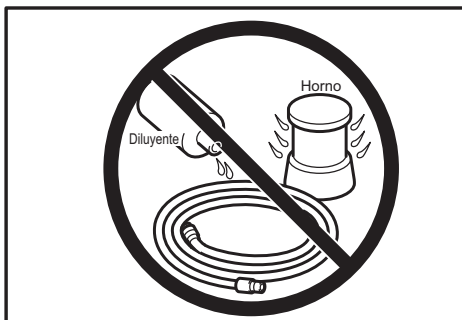
► 1. Filtro de aire

Luego de utilizarla, vacíe siempre el tanque del compresor y el filtro de aire. Si permite que la humedad entre en la herramienta, esto podría ocasionar un mal funcionamiento y la posible falla de la misma.



► 1. Lubricador 2. Aceite neumático

Verifique regularmente para ver si hay suficiente aceite neumático en el lubricador del juego de aire. La falta de mantenimiento de una lubricación suficiente ocasionará el desgaste rápido de los aros.



Mantenga la manguera de aire alejada del calor (más de 60°C, más de 140°F), lejos de las sustancias químicas (diluyente, ácidos fuertes o álcalis). Además, encamine la manguera fuera de los obstáculos dado que podría quedar peligrosamente atrapada durante el funcionamiento. Las mangueras deben también dirigirse lejos de bordes filosos y áreas que podrían dañarlas o desgastarlas.

Para mantener la **SEGURIDAD** y **FIABILIDAD** del producto, las reparaciones, y cualquier otra tarea de mantenimiento o ajuste deberán ser realizadas en Centros de Servicio Autorizados por Makita, empleando siempre repuestos Makita.

ACCESORIOS OPCIONALES

⚠ PRECAUCIÓN:

- Estos accesorios o aditamentos (incluidos o no) están recomendados para utilizar con su herramienta Makita especificada en este manual. El empleo de cualesquiera otros accesorios o acoplamientos conllevará un riesgo de sufrir heridas personales. Utilice los accesorios o acoplamientos solamente para su fin establecido.

Si necesita cualquier ayuda para más detalles en relación con estos accesorios, pregunte a su centro de servicio Makita local.

- Clavos
- Mangueras de aire

NOTA:

- Algunos de los artículos en la lista puede que vengan junto con el paquete de la herramienta como accesorios incluidos. Puede que estos accesorios varíen de país a país.

GARANTÍA LIMITADA DE MAKITA

Ésta Garantía no aplica para México

Consulte la hoja de la garantía anexa para ver los términos más vigentes de la garantía aplicable a este producto. En caso de no disponer de esta hoja de garantía anexa, consulte los detalles sobre la garantía descritos en el sitio web de su país respectivo indicado a continuación.

Estados Unidos de América: www.makitatools.com

Canadá: www.makita.ca

Otros países: www.makita.com

< USA only >

WARNING

Some dust created by power sanding, sawing, grinding, drilling, and other construction activities contains chemicals known to the State of California to cause cancer, birth defects or other reproductive harm. Some examples of these chemicals are:

- lead from lead-based paints,
- crystalline silica from bricks and cement and other masonry products, and
- arsenic and chromium from chemically-treated lumber.

Your risk from these exposures varies, depending on how often you do this type of work. To reduce your exposure to these chemicals: work in a well ventilated area, and work with approved safety equipment, such as those dust masks that are specially designed to filter out microscopic particles.

< Sólo en los Estados Unidos >

ADVERTENCIA

Algunos polvos creados por el lijado, aserrado, esmerilado, taladrado y otras actividades de la construcción contienen sustancias químicas reconocidas por el Estado de California como causantes de cáncer, defectos de nacimiento y otros peligros de reproducción. Algunos ejemplos de estos productos químicos son:

- plomo de pinturas a base de plomo,
- sílice cristalino de ladrillos y cemento y otros productos de albañilería, y
- arsénico y cromo de maderas tratadas químicamente.

El riesgo al que se expone varía, dependiendo de la frecuencia con la que realice este tipo de trabajo. Para reducir la exposición a estos productos químicos: trabaje en un área bien ventilada y póngase el equipo de seguridad indicado, tal como las máscaras contra polvo que están especialmente diseñadas para filtrar partículas microscópicas.

Makita Corporation

3-11-8, Sumiyoshi-cho,
Anjo, Aichi 446-8502 Japan

www.makita.com

AN902-NA3-2210
AN902-1
EN, FRCA, ESMX
20160415